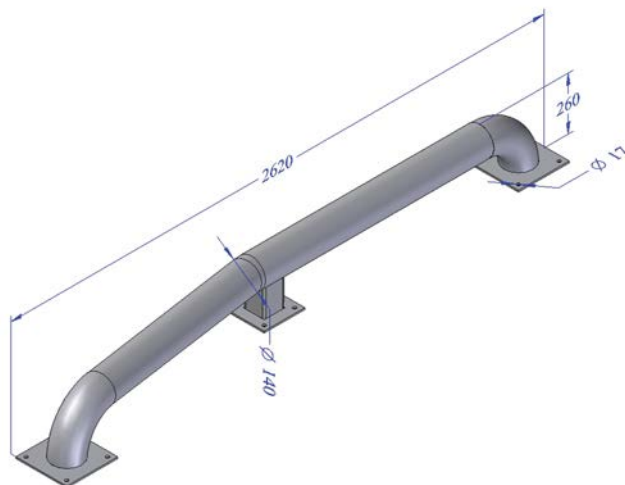


Truck guide with central support, bolted type.

TECHNICAL DESCRIPTION

Truck guidance systems allow drivers to approach the vehicle to bay in a safe way, preventing any damage to either shelters, bays or to other vehicles.



TECHNICAL SPECIFICATIONS

- Length: 2620mm.
- Height: 260mm.
- Diameter: 140mm.
- Thickness: 3mm.
- Guide material: Galvanised steel SP44



FINISHES

Galvanised:

Excellent resistance to corrosion and environmental agents.

Painted:

Highly resistant to corrosion and environmental agents.

Loading Bays Accessories



Fully galvanised reversible lorry guides.



Reversible lorry guides painted with stripes.