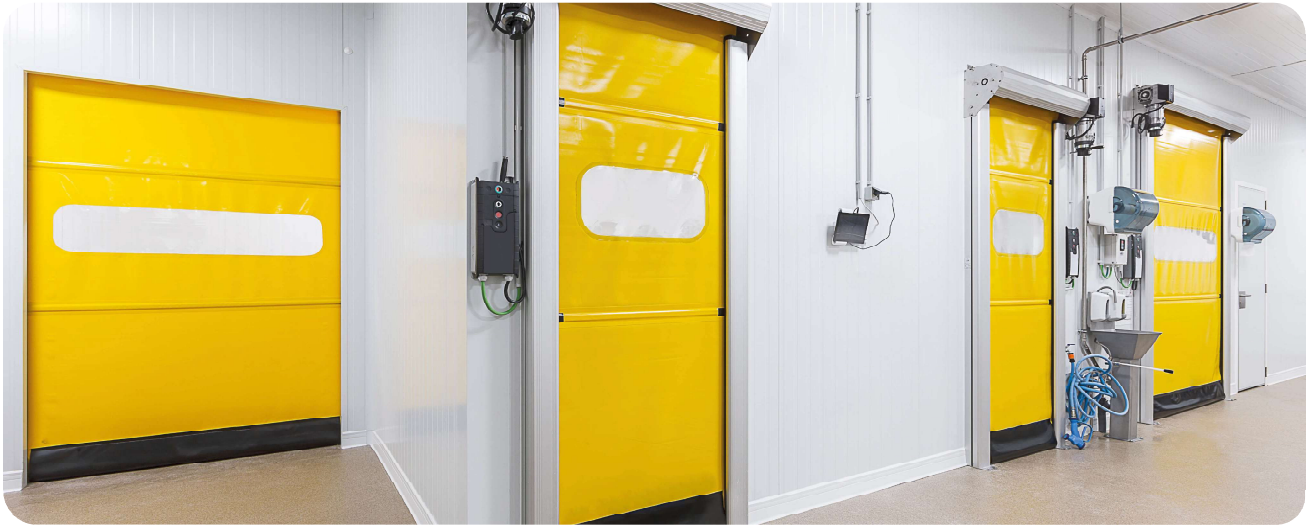


PR65

Rolling High-speed Door

with Aluminium Frame.



Technical Description.

The Inkema's **PR65 Rolling High-Speed Door** stands out with its main feature: an **extruded anodized aluminum structure** and **304 stainless steel fittings**, providing an excellent finish for locations prone to corrosion.

The door is comprised of a high-tenacity polyester-reinforced PVC curtain that rolls onto an aluminum drum. The frames of the **PR65** door are made of high-quality anodized aluminum and are sealed, making it the most suitable choice for humid environments.

Technical Features.

- **Application:** Indoor
- **Max. Size:** 3400 × 3400mm (width x height)
- **Material (structure):** Anodized Aluminum
- **Max. Speed:** Opening: (~1,0m/s)
Closing : (~1,0m/s)
- **Colours (canvas-frame):** 10 colours available (white, cream, yellow, orange, red, light blue, dark blue, green, grey and black)
- **Wind Resistance:** Class 1 (EN12424)
- **Canvas Material:** High-Resistance PVC (900g/m²)
- **Safety:** Light Curtain
- **Life Cycle** 750,000 cycles

Additional Features.

Features	<input type="radio"/>	<input type="radio"/>
Light curtain	<input checked="" type="radio"/>	<input type="radio"/>
Frequency inverter	<input type="radio"/>	<input type="radio"/>
Uninterruptible Power Supply (UPS)	<input type="radio"/>	<input type="radio"/>
Additional Photoelectric Cell	<input type="radio"/>	<input type="radio"/>
Extra opening options	<input type="radio"/>	<input type="radio"/>
Motor cover	<input type="radio"/>	<input type="radio"/>
Frontal Motor	<input type="radio"/>	<input type="radio"/>
A row of small windows	<input checked="" type="radio"/>	<input type="radio"/>
Second row of small windows	<input type="radio"/>	<input type="radio"/>
Additional push button panel	<input type="radio"/>	<input type="radio"/>
Extra opening options	<input checked="" type="radio"/>	<input type="radio"/>

● Standard Feature ○ Optional Feature *For other options, consult Customer Service.

The **PR65 Rolling High-Speed Door** has been calculated and designed in accordance with the following European directives and standards: **UNE-EN 12453** and **UNE-EN 13241**

Operation.

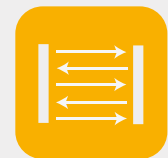
- Electronic End-of-Travel Sensor (Encoder).
- Power Supply Voltage: 230/400V III+N or 230V I (optional).
- Voltage Isolator at the main switch.
- Emergency Stop (optional).
- Manual Emergency/Maintenance Opening.
- Uninterrupted Power Supply System (optional).



Safety Systems.

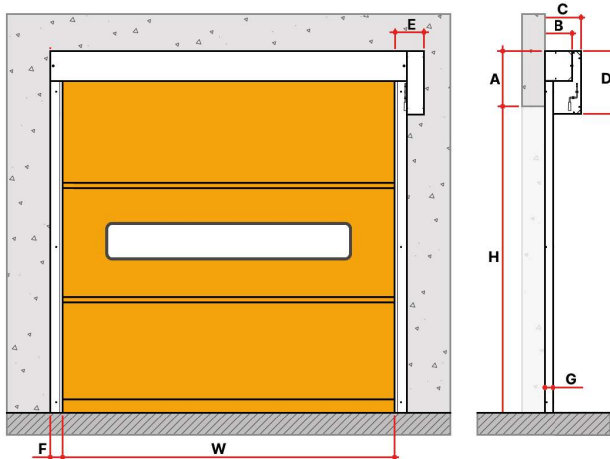
The **PR65 high-speed door** features a **light curtain** with a **polarized filter**, preventing any collision with people or goods. It also includes cross beams to ensure maximum protected volume.

The light curtain holds safety certifications according to regulations: EN ISO 13849-1:2008 Cat.2 PL D; EN 61508:2010 SIL 2; EN 12978:2009 (SB type, exl. IEC 61496-2:2006).



Light Curtain with polarized filter.

Dimensions.



H	W	A	B	C	D	E	F	G
4000	4000	470	246	317	505	276	120	102

Canvas and Frame Color Range. (Frame color optional)



(White, Cream, Yellow, Orange, Red, Light Blue, Blue, Green Grey, Black and 100% Personalised).